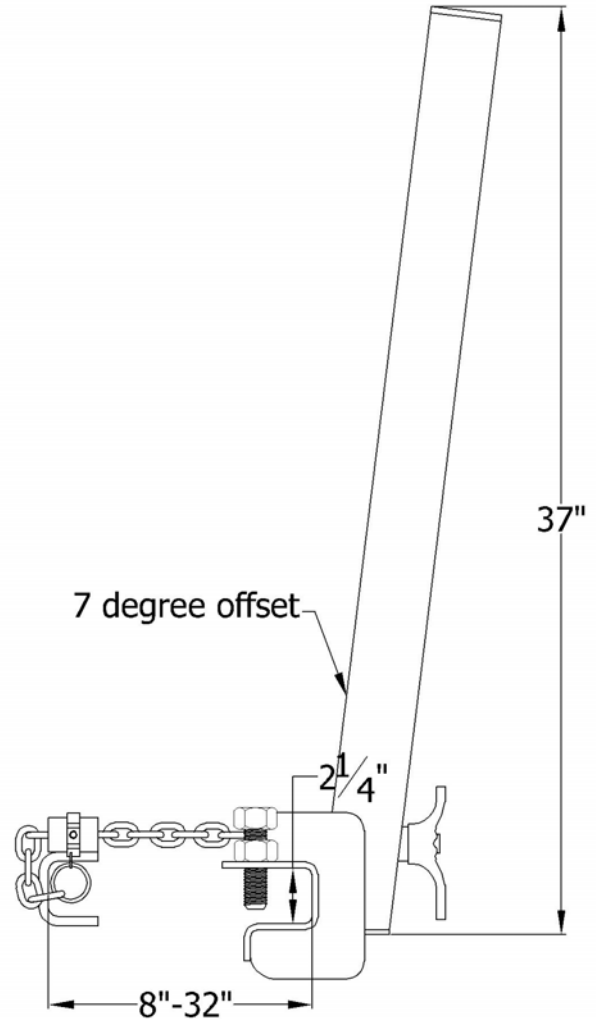




Portable Lifeline Stanchion  
Part# 00041-1

SPECIFICATIONS  
PAGE 1 OF 1



DESCRIPTION

The Safe Approach portable lifeline stanchion takes the worry out of fall protection by providing an easy to install tie-off for multiple workers that must work at height before flooring or other fall protection is available. Fits flange widths from 8" to 32" and thicknesses from 1/2" to 2-1/4". Maximum span is 60' between stanchions. Minimum beam size it can be used on is W12x40.

GENERAL SPECIFICATIONS

Item	Description	Finish
Base	A-36 Steel	Powder Coat
Tube	2-1/2" Sch40 Steel	Powder Coat
Bolts	Grade 8, Cup Point	None
Chain	1/4" Grade 70	Zinc
Pin	5/16" Single Acting	Stainless
Capacity—Using Safe Approach HLL system, maximum span 60', 2 workers, max weight 310 lbs/ea including tools and equipment, as a single point attachment, 1 worker—310lbs/ea.		
Working Load Limit—3600lb (2:1 safety factor)		
Technical References: Meets OSHA 1926 Subpart M		