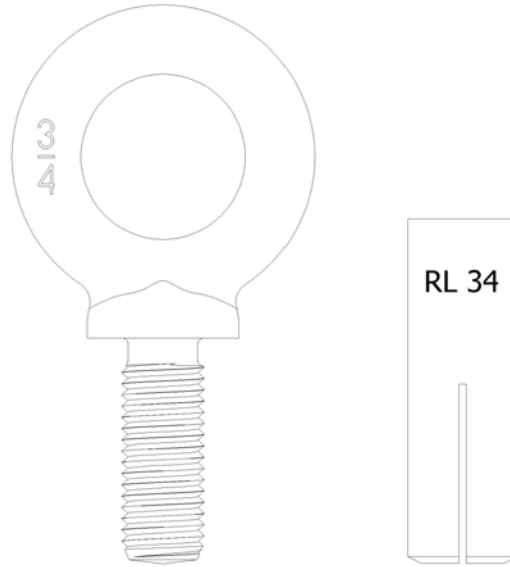




**Eye Bolt Anchor**  
**Part# P-00700-EB**



**DESCRIPTION**

The Eye Bolt Anchor is designed to be a temporary anchorage device for securing a horizontal lifeline system to concrete. The anchor provides a 10,000lb anchorage point in 6,000 psi concrete or higher.

**INSTRUCTIONS**

1. Be sure the location you would like to install the anchorage is capable of supporting the maximum loads that may be applied to this anchor.
2. Drill a 1" diameter hole in the concrete 4" deep.
3. Clean out the hole.
4. Insert the drop in anchor and set with the proper setting tool by hammering until the internal plug does not seat any further.
5. Thread the eye bolt into the anchor and tighten

Warning: The eye bolt is meant to be a temporary anchorage device, it does not have any anti-corrosive finish for prolonged outdoor exposure.

**GENERAL SPECIFICATIONS**

Item	Description	Tested At
Eye Bolt	Forged Steel	20,000lb Ultimate
Anchor	Zinc Plated Steel, Drop In Style	12,260lb Ultimate In 6,000 psi concrete

Usage	Capacity	Safety Factor
Fall Arrest	2 Workers , Max Weight 400 lbs/ea	ANSI Z359
Horizontal Lifeline	Maximum allowable end load— 5,000lbs	2:1
Equipment	2500 lbs wll	4:1

**Technical References:**

- (1) Meets OSHA 1926 Subpart M as a 2 person fall arrest anchor point
- (2) Meets ANSI Z359 as a 2 person fall arrest anchor point
- (3) Break Strength—10,000lbs.