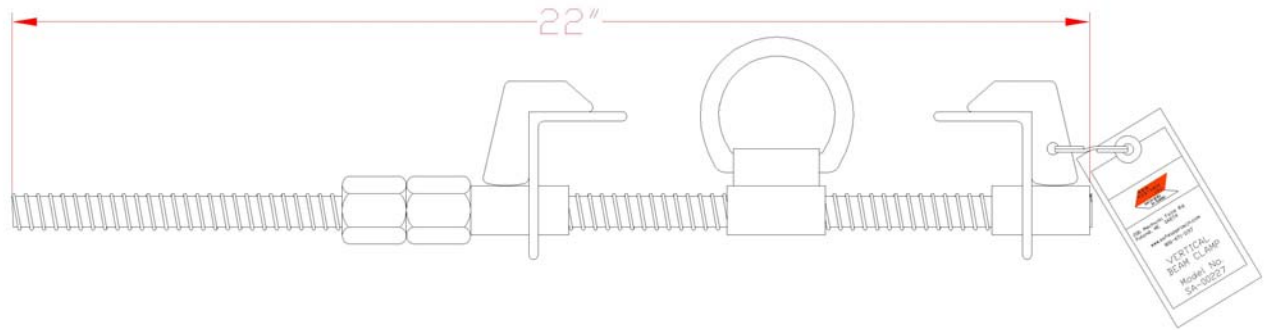




**Vertical Beam Clamp**  
Part# 00227

**SPECIFICATIONS**  
PAGE 1 OF 1



**DESCRIPTION**

The Safe Approach vertical beam clamp is designed to be used as a fall arrest anchorage point for vertical I or H beams or anywhere a fixed attachment point is desirable. The model P-00227 is a 5,000 lb anchorage point in all directions. It will easily fit flange widths from 4-1/2" to 12" and up to a 1" flange thickness.

**GENERAL SPECIFICATIONS**

Item	Description	Finish
Shaft	GR 75 Threaded Rod	Powder Coat
Wing Nut	GR 75	Galvanized
D-Ring	Forged Steel, 5,000lb rated	Zinc / Powder Coat
Clamps	A36 HR Steel	Powder Coat
Slider	A500 Steel	Powder Coat
Capacity—1 worker, max weight 310 lbs/ea including tools and equipment		
Weight—5lbs.		
Technical References: Meets OSHA 1926 Subpart M and ANSI Z359		